

Progressive®
furniture

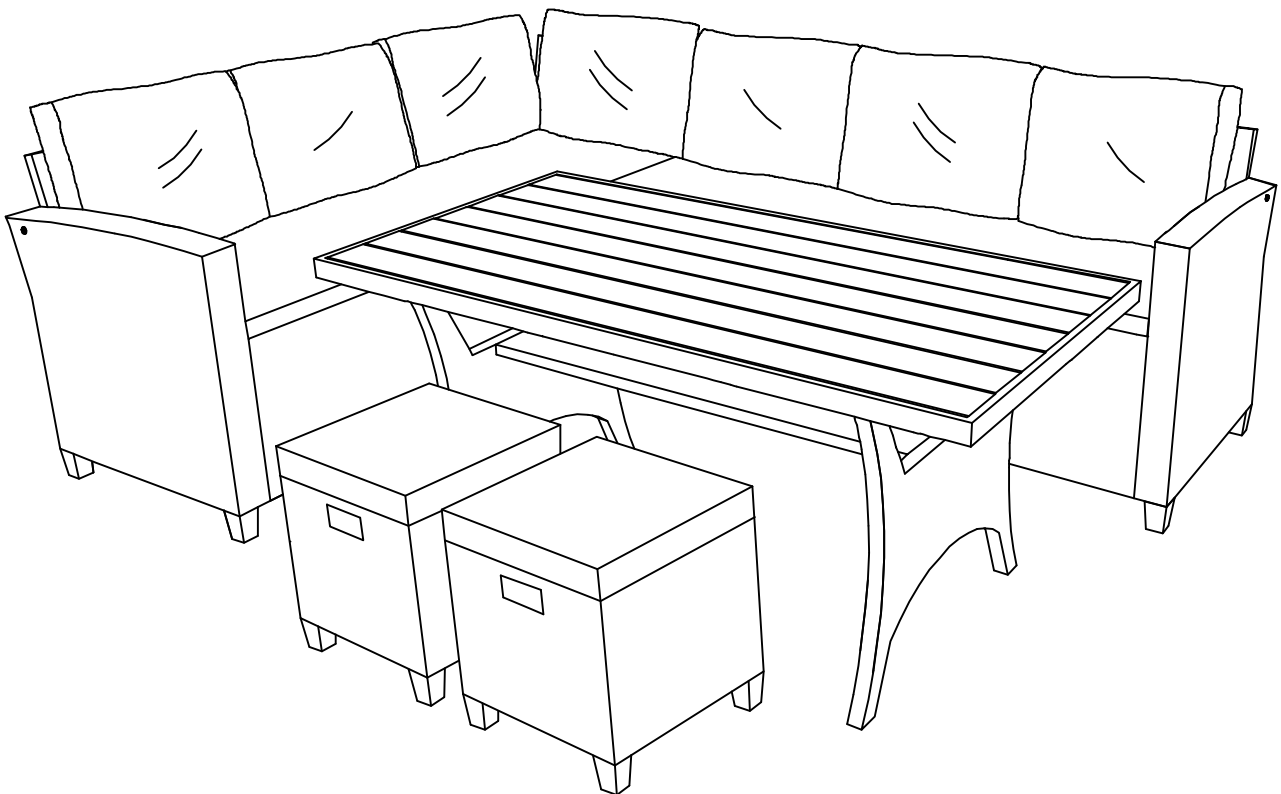
ASSEMBLY INSTRUCTION

Item No: I718-27/-28/-29


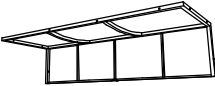

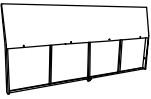



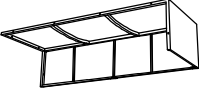
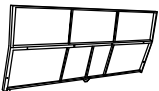
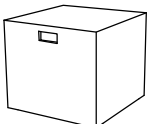


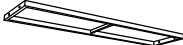
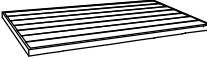
Description: ALBANY OUTDOOR TABLE SET





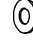
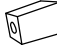




IMPORTANT NOTE:

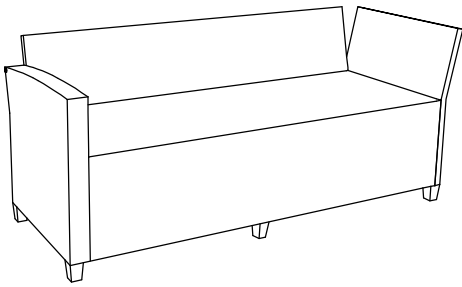
- Place all parts on a clean and smooth surface such as a rug or carpet to avoid the parts from being scratched.
- Check to be sure that you have all parts and hardware.
- Remove all wrapping materials, including staples & packing
- Do not tighten all screws/bolts until all completely assembled.
- Keep all hardware parts out of reach of children.



MADE IN VIETNAM

I718	TOTAL PART		
	NO.	DESCRIPTION	QTY.
- 28	A	 Left Arm	1 PC
- 27	B	 Left Seat	1 PC
- 28	C	 Left Small Backrest	1 PC
- 28	D	 Left Backrest	1 PC
- 27	E	 Seat Cushion	2 PCS
- 27	F	 Pillow	7 PCS
- 28	G	 Right Arm	1 PC
- 27	H	 Right Seat	1 PC
- 28	I	 Right Backrest	1 PC
- 27	Q	 Stool	2 PCS
- 27	T	 Stool Cushion	2 PCS
- 27	X	 Table Leg	2 PCS
- 27	Y	 Table Shelf	1 PC
- 29	Z	 Table Top	1 PC

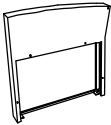
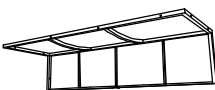

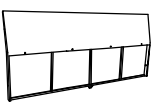


(I718-27) TOTAL HARDWARE			
NO.	DESCRIPTION		QTY.
1		Bolt Ø15/64" x 40mm	18 PCS
2		Bolt Ø15/64" x 35mm	7 PCS
3		Bolt Ø15/64" x 110mm	2 PCS
4		Bolt Ø15/64" x 55mm	20 PCS
5		Washer Ø15/64" x 14mm	27 PCS
6		Plastic leg 48 x 48 x 65mm	20 PCS
7		Connection 62 x 40 x 32mm	2 PCS
8		Allen key 4 x 60mm	4 PCS
9		Bolt Ø5/16" x 20mm	8 PCS
10		Washer Ø5/16" x 16mm	8 PCS










IMPORTANT NOTE:

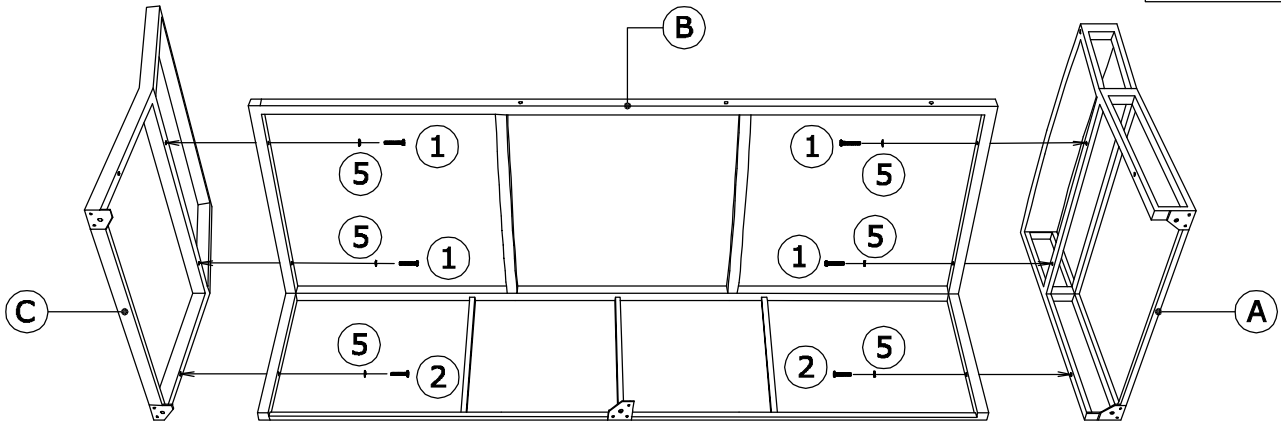
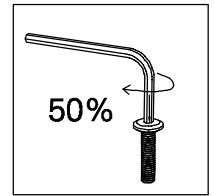
- Place all parts on a clean and smooth surface such as a rug or carpet to avoid the parts from being scratched.
- Check to be sure that you have all parts and hardware.
- Remove all wrapping materials, including staples & packing
- Do not tighten all screws/bolts until all completely assembled.
- Keep all hardware parts out of reach of children.

Left Bench

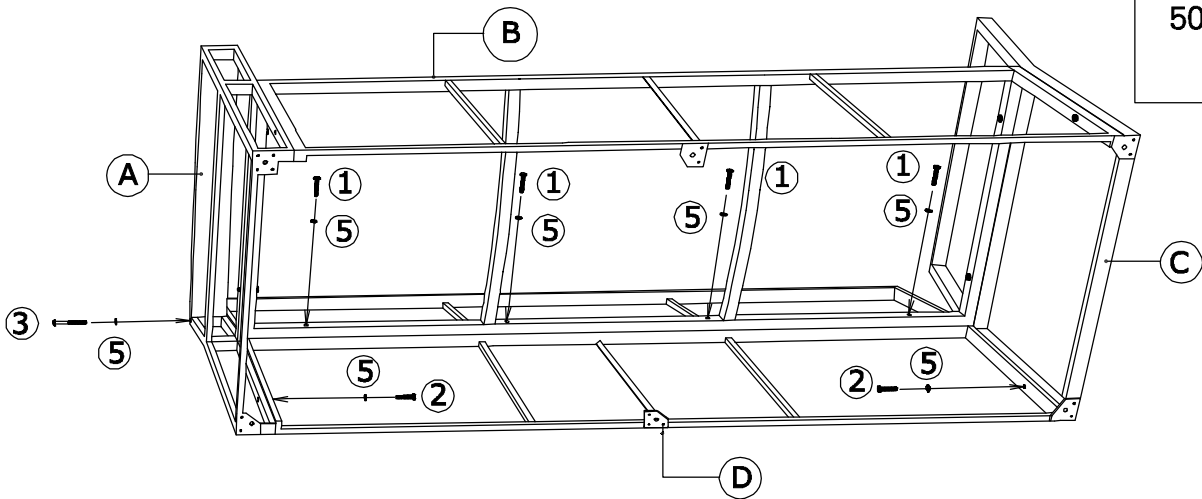
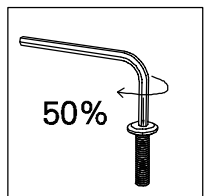
I718	PART LIST		
	NO.	DESCRIPTION	QTY.
- 28	A	 Left Arm	1 PC
- 27	B	 Left Seat	1 PC
- 28	C	 Left Small Backrest	1 PC
- 28	D	 Left Backrest	1 PC
- 27	E	 Seat Cushion	1 PC
- 27	F	 Pillow	4 PCS

(I718-27) HARDWARE LIST			
NO.	DESCRIPTION		QTY.
1		Bolt Ø15/64" x 40mm	8 PCS
2		Bolt Ø15/64" x 35mm	4 PCS
3		Bolt Ø15/64" x 110mm	1 PC
4		Bolt Ø15/64" x 55mm	6 PCS
5		Washer Ø15/64" x 14mm	13 PCS
6		Plastic leg 48 x 48 x 65mm	6 PCS
8		Allen key 4 x 60mm	1 PC

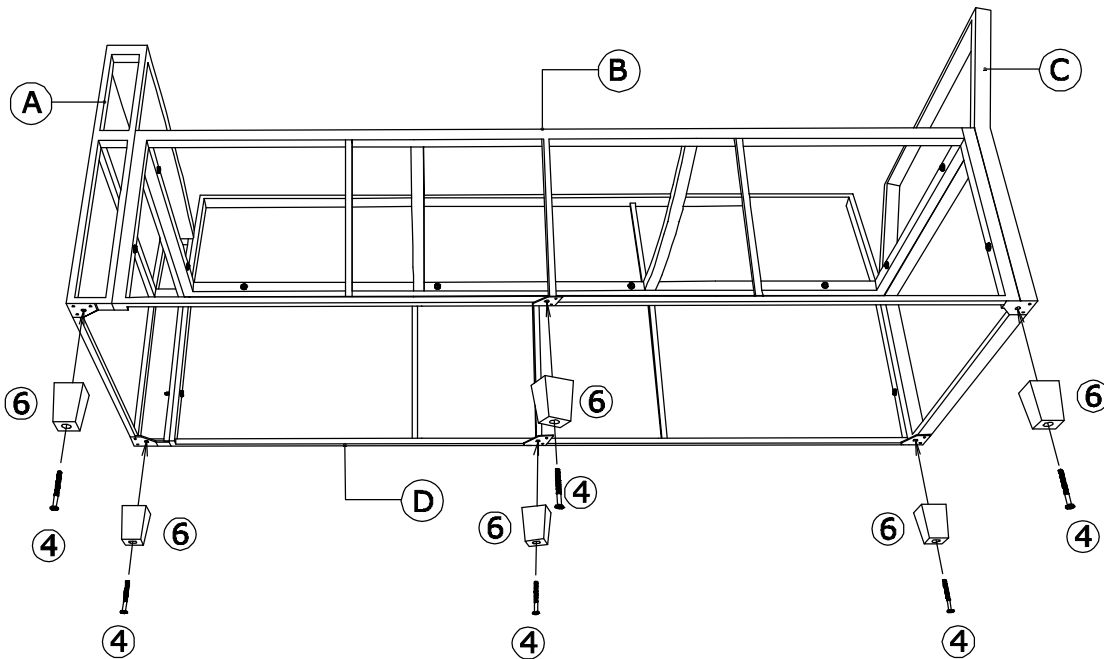
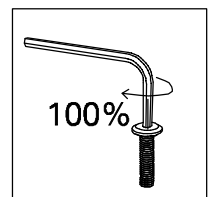
STEP 1:

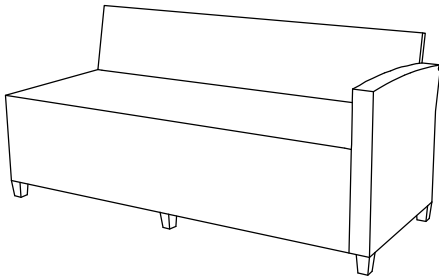


STEP 2:



STEP 3:

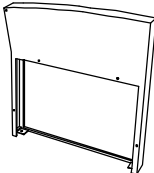
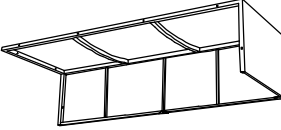
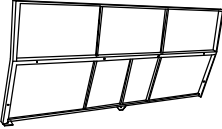














IMPORTANT NOTE:

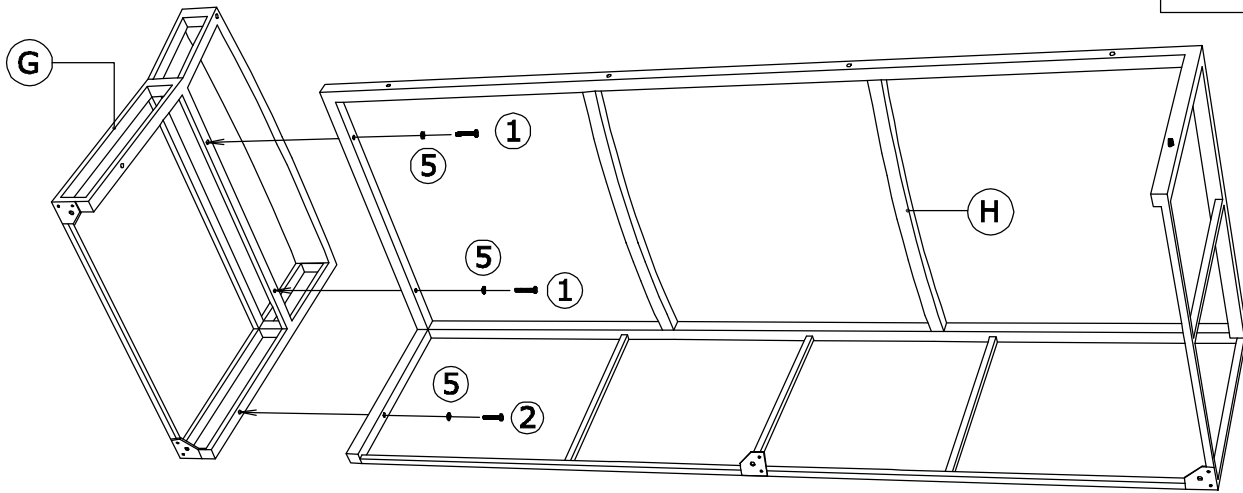
- Place all parts on a clean and smooth surface such as a rug or carpet to avoid the parts from being scratched.
- Check to be sure that you have all parts and hardware.
- Remove all wrapping materials, including staples & packing
- Do not tighten all screws/bolts until all completely assembled.
- Keep all hardware parts out of reach of children.

Right Bench

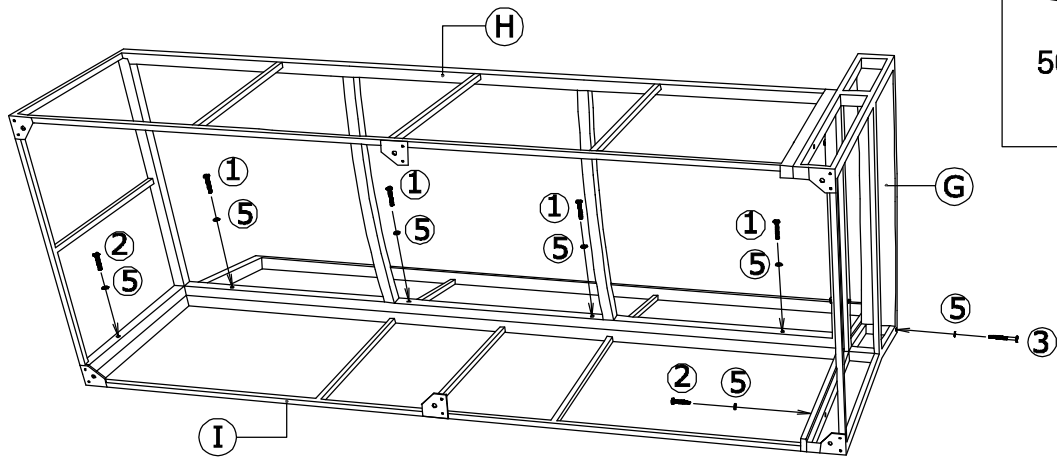
I718	PART LIST		
	NO.	DESCRIPTION	QTY.
- 28	G	 Right Arm	1 PC
- 27	H	 Right Seat	1 PC
- 28	I	 Right Backrest	1 PC
- 27	E	 Seat Cushion	1 PC
- 27	F	 Pillow	3 PCS

(I718-27) HARDWARE LIST			
NO.	DESCRIPTION		QTY.
1		Bolt Ø15/64" x 40mm	6 PCS
2		Bolt Ø15/64" x 35mm	3 PCS
3		Bolt Ø15/64" x 110mm	1 PC
4		Bolt Ø15/64" x 55mm	6 PCS
5		Washer Ø15/64" x 14mm	10 PCS
6		Plastic leg 48 x 48 x 65mm	6 PCS
7		Connection 62 x 40 x 32mm	2 PCS
8		Allen key 4 x 60mm	1 PC

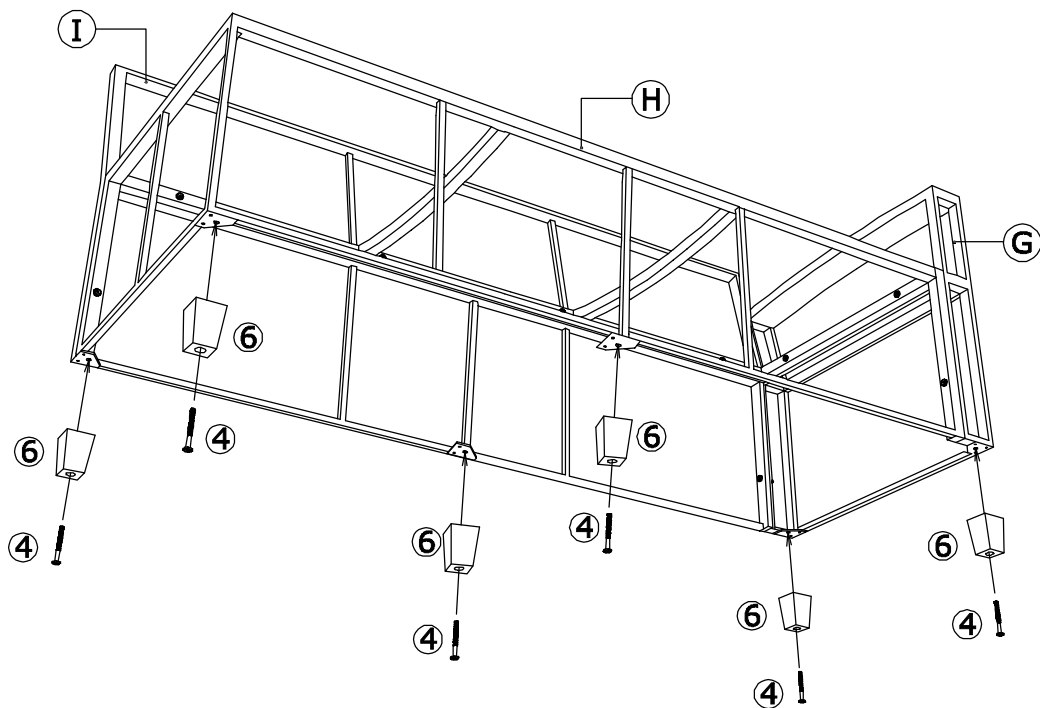
STEP 1:



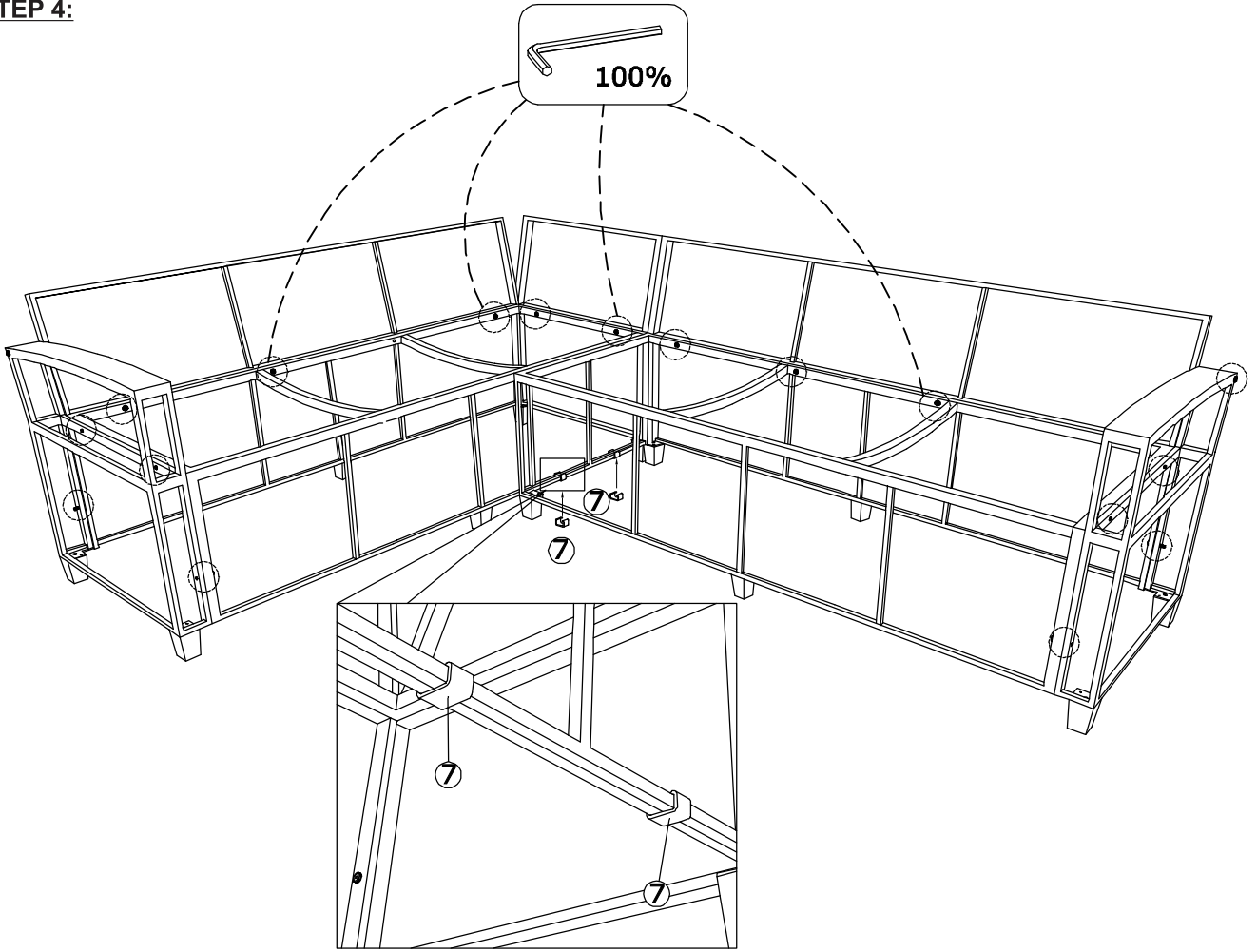
STEP 2:



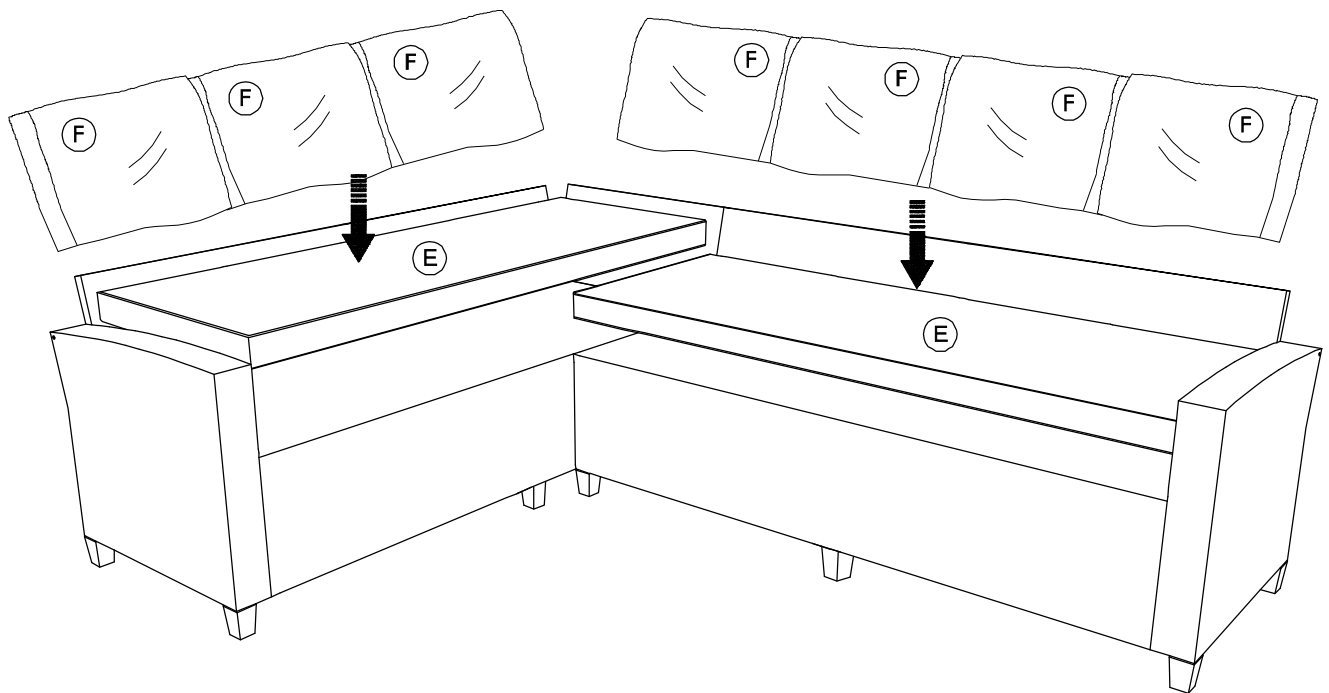
STEP 3:

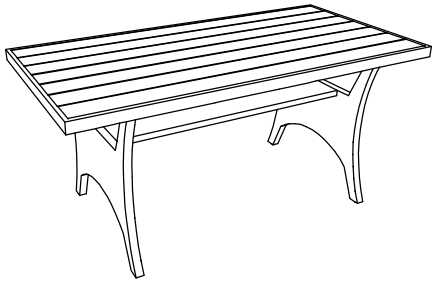


STEP 4:



STEP 5:



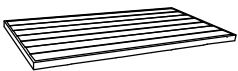









Table

IMPORTANT NOTE:

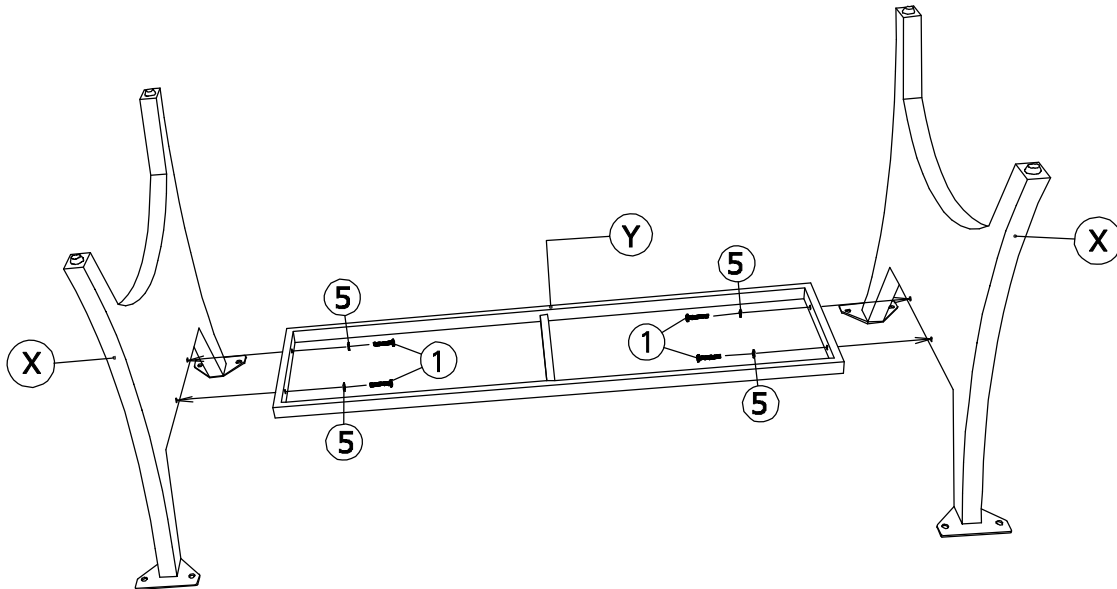
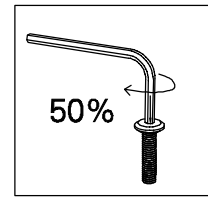
- Place all parts on a clean and smooth surface such as a rug or carpet to avoid the parts from being scratched.
- Check to be sure that you have all parts and hardware.
- Remove all wrapping materials, including staples & packing
- Do not tighten all screws/bolts until all completely assembled.
- Keep all hardware parts out of reach of children.

I718	PART LIST		
	NO.	DESCRIPTION	QTY.
- 27	X	 Table Leg	2 PCS
- 27	Y	 Table Shelf	1 PC
- 29	Z	 Table Top	1 PC

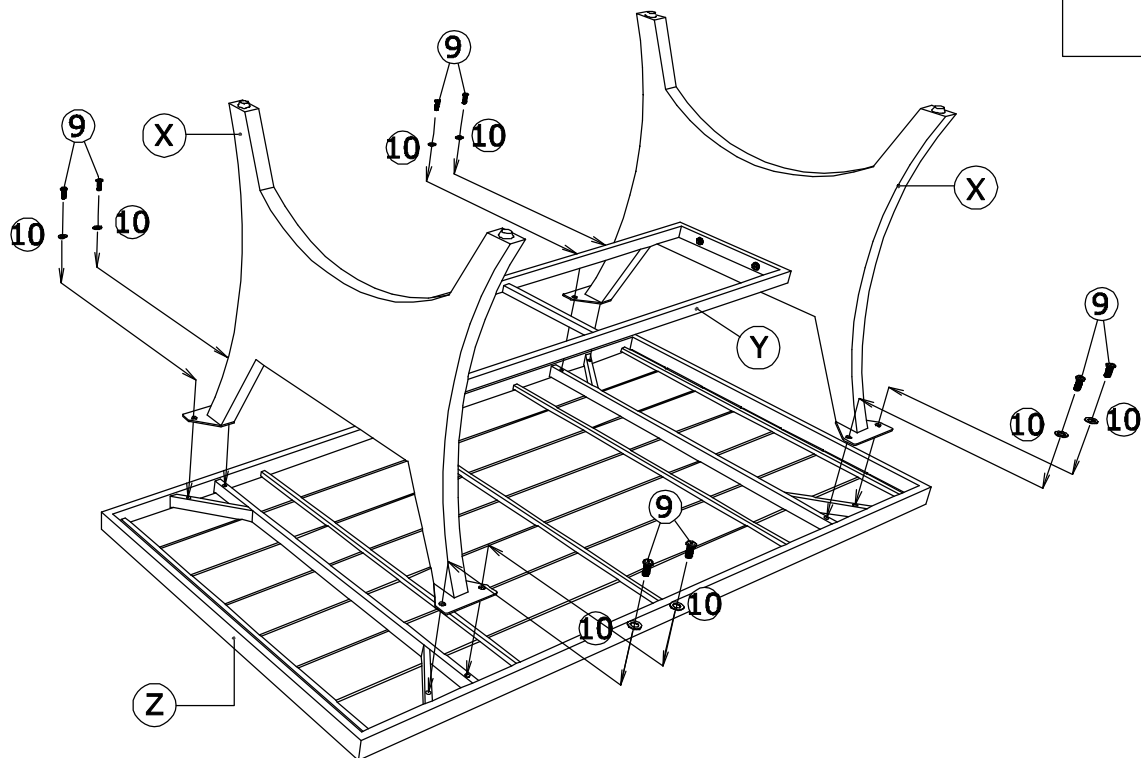
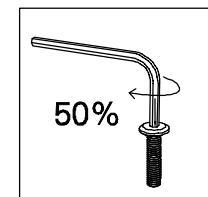
(I718-27) HARDWARE LIST			
NO.	DESCRIPTION	QTY.	
1	 Bolt Ø15/64" x 40mm	4 PCS	
5	 Washer Ø15/64" x 14mm	4 PCS	
9	 Bolt Ø5/16" x 20mm	8 PCS	
10	 Washer Ø5/16" x 16mm	8 PCS	
8	 Allen key 4 x 60mm	1 PC	

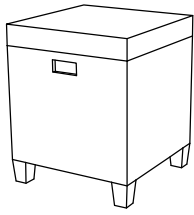
STEP 1:

IMPORTANT NOTICE: PLEASE MAKE SURE ALL ARROWS DIRECTION ARE CORRECT.



STEP 2:



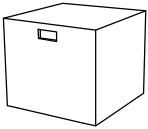






x2

IMPORTANT NOTE:

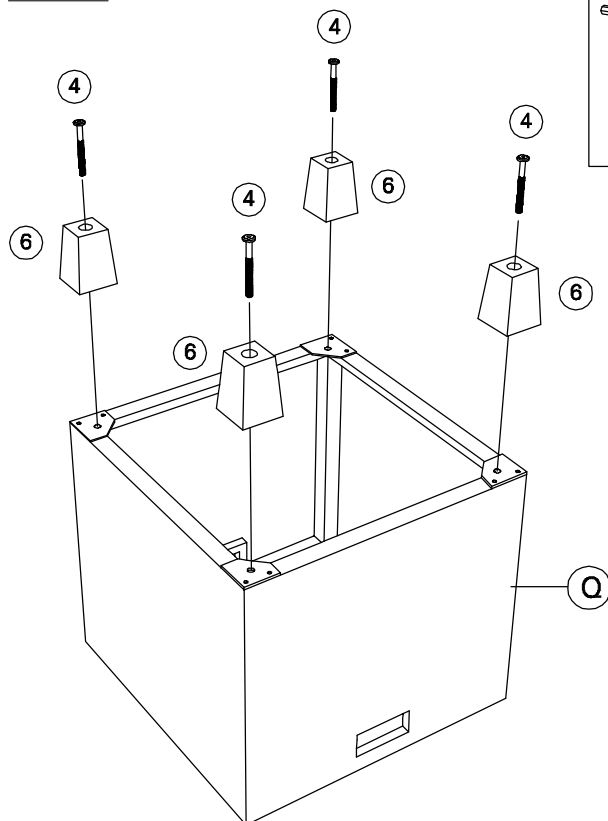
- Place all parts on a clean and smooth surface such as a rug or carpet to avoid the parts from being scratched.
- Check to be sure that you have all parts and hardware.
- Remove all wrapping materials, including staples & packing
- Do not tighten all screws/bolts until all completely assembled.
- Keep all hardware parts out of reach of children.

Stools

I718	PART LIST		
	NO.	DESCRIPTION	QTY.
- 27	Q	 Stool	1 PC x 2
- 27	T	 Stool Cushion	1 PC x 2

(I718-27) HARDWARE LIST		
NO.	DESCRIPTION	QTY.
4	 Bolt Ø15/64" x 55mm	4 PCS x 2
6	 Plastic leg 48 x 48 x 65mm	4 PCS x 2
8	 Allen key 4 x 60mm	1 PC

STEP 1:



STEP 2:

